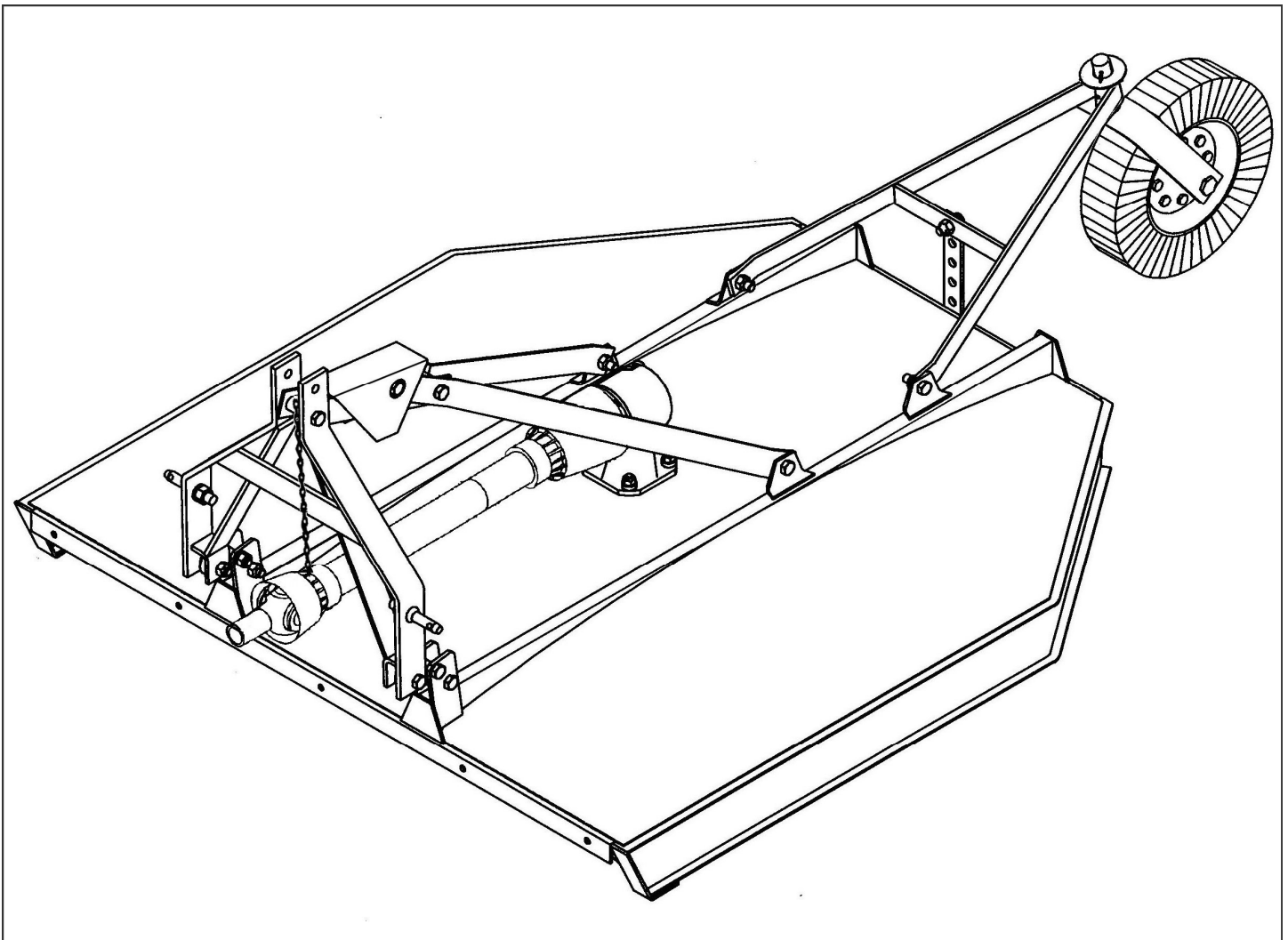


# FLEX HITCH ROTARY MOWER OPERATION AND PARTS



MARCH 2024



# TO THE PURCHASER

This manual contains valuable information about your new King Kutter Mower. It has been carefully prepared to give you helpful suggestions for operating, adjusting, servicing and ordering repair parts.

Keep this manual in a convenient place for quick and easy reference. Study it carefully. You have purchased a dependable and sturdy mower, but only by proper care and operation can you expect to receive the service and long life designed and built into it.

Sometime in the future your mower may need new parts to replace those that are worn or broken. If so, go to your dealer and provide him with the model and part number.

## Customer Information

Name \_\_\_\_\_

Purchased From \_\_\_\_\_

Date Purchased \_\_\_\_\_

Model No. \_\_\_\_\_

Serial No. \_\_\_\_\_

**It is the purchaser and/or operator's responsibility to....**

- I Read and understand the information contained in this manual.**
- I Operate, lubricate, assemble and maintain the equipment in accordance with all instructions and safety procedures in this manual.**
- I Inspect the equipment and replace or repair any parts that are damaged or worn which under continued operation would cause damage, wear to other parts, or cause a safety hazard.**
- I Return the equipment or parts to the authorized King Kutter dealer, from where it was purchased, for service or replacement of defective parts that are covered by warranty. (The King Kutter Factory may inspect equipment or parts before warranty claims are honored.)**
- I Payment of all costs incurred by the dealer for traveling to or transporting the equipment for warranty inspection and or claims.**

# CONTENTS

<b>ITEM</b>	<b>PAGE</b>
Safety .....	6
Assembly Instructions.....	8
Before Putting Into Service .....	11
Safety Training.....	12
Operational Safety .....	14
Transportation Safety .....	16
Attaching To Tractor.....	17
Sizing PTO .....	19
Operating Instructions.....	20
Maintenance .....	22
Maintenance Safety .....	23
Safety Decal's And Locations .....	24
Notes .....	29
Replacement Parts .....	30
PTO Shaft Parts.....	32
Slip Clutch Assembly .....	34
PTO Shaft Cover Removal .....	35
Gearbox Parts .....	38
Warranty .....	40

# SAFETY

READ AND FOLLOW THE INSTRUCTIONS IN THIS MANUAL AND ESPECIALLY IN THE SAFETY SECTION. FAILURE TO DO SO CAN RESULT IN SERIOUS INJURY OR DEATH.

TAKE NOTE! THIS SAFETY ALERT SYMBOL FOUND THROUGHOUT THIS MANUAL IS USED TO CALL YOUR ATTENTION TO INSTRUCTIONS INVOLVING YOUR PERSONAL SAFETY AND THE SAFETY OF OTHERS.



THIS SYMBOL MEANS  
**ATTENTION!**  
**BECOME ALERT!**  
YOUR SAFETY IS INVOLVED

## SIGNAL WORDS:

The signal words **DANGER**, **WARNING** and **CAUTION** are used with the safety messages in this manual and with each safety signs. They are defined as follows:

**DANGER:** Indicates an immediate hazardous situation that, if not avoided, could result in serious injury or death. This signal word is to be limited to the most extreme situations typically for machine components that, for functional purposes, cannot be guarded.

**WARNING:** Indicates a potentially hazardous situation that, if not avoided, could result in serious injury or death, and includes hazards that are exposed when guards are removed. It may also be used to alert against unsafe practices.

**CAUTION:** Indicates a potentially hazardous situation that, if not avoided, may result in minor or moderate injury. It may also be used to alert against unsafe practice.

If you have any questions not answered in this manual or require additional copies or the manual is damaged, please contact your dealer or King Kutter, Inc. P.O. Box 1200 Winfield, AL 35594 (205) 487-3202 or [www.kingkutter.com](http://www.kingkutter.com)

## EQUIPMENT SAFETY GUIDELINES



- I Safety of the operator and by standards is one of the main concerns in designing and developing a mower. However, every year accidents occur which could have been avoided by a few seconds of thought and a more careful approach to handling equipment. You, the operator, can avoid many accidents by observing the following precautions and insist those working with you, or for you, follow them.
- I In order to provide a better view, certain photographs or illustrations in this manual may show an assembly with a safety shield removed. However, equipment should never be operated in this condition. Keep all shields in place. If shield removal becomes necessary for repairs, replace the shield prior to use.
- I Replace any safety sign that is not readable or is missing. Location of such safety signs is indicated in this manual.
- I Never use alcoholic beverages or drugs that can hinder alertness or coordination while operating this equipment. Consult your doctor about operating this machine while taking prescription medications.
- I **Under no circumstances should children under the age of 18 be allowed to work with this equipment. Do not allow persons to operate or assemble this unit until they have read this manual and have developed a thorough understanding of the safety precautions and of how it works. Review the safety instructions with all users annually.**
- I This equipment is dangerous to children and persons unfamiliar with its operation. The operator should be a responsible, properly trained and physically able person familiar with farm machinery and trained in this equipment's operations. If the elderly are assisting with farm work, their physical limitations need to be recognized and accommodated.
- I Use a tractor equipped with a Roll Over Protective System and seat belts. (ROPS)
- I Never exceed the limits of a piece of machinery. If its ability to do a job, or to do so safely, is in question- **DON'T TRY IT.**
- I Do not modify the equipment in any way. Unauthorized modification could result in serious injury or death and may impair the function and life of the equipment.
- I In addition to the design and the confirmation of this implement, including safety signs and safety equipment, hazard control and accident prevention are dependent upon the awareness, concern, prudence, and proper training of personnel involved in the operation, transport, maintenance, and storage of the machine. Refer also to safety messages and operation instruction in each of the appropriate sections of the tractor and mower manuals. Pay close attention to the safety signs affixed to the tractor and the rotary mower.

## **FLEX HITCH ROTARY MOWER ASSEMBLY INSTRUCTIONS**

### **STEP 1**

Place rotary mower on a flat, level surface. **(See Figure A)**

### **STEP 2**

Remove the wired on PTO shaft. Remove the(2) bolts that are on the lift arm lugs, and the bolt holding the pivot shield on. **(See arrows Figure C)** Place the (3)bolts, the pivot shield and the PTO shaft to the side **(See Figure B)** you will replace these items as you put the unit together for service.

### **STEP 3**

Rotate arms up to a standing position **(See Figure D)** and replace the (2) two bolts once you get arms to full forward position with the swivel links below the bolts **(See Figure E on page 10)**.

### **STEP 4**

Then raise brace arms up and through where they bolt to pivot bar **(See Figure F & G on page 10)**.

### **STEP 5**

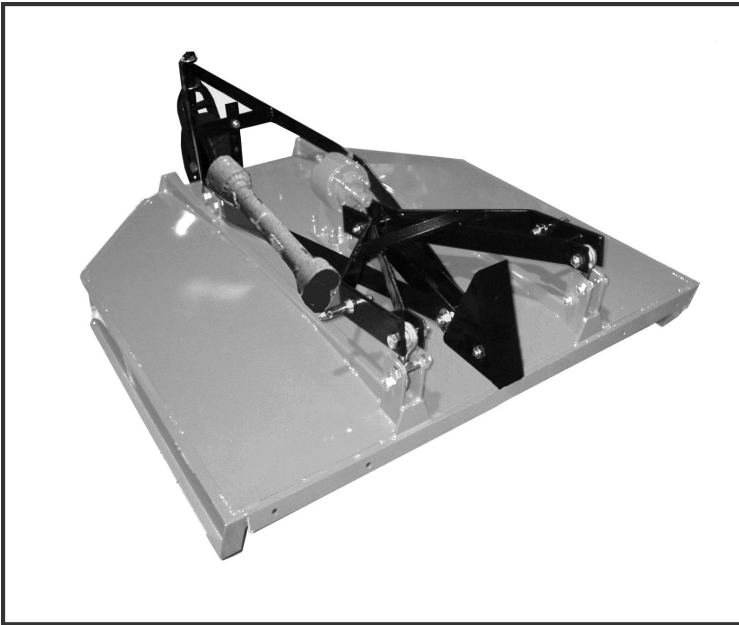
Install the pivot shield with bolt, through shield and through lift arms and out other side of shield. **(See hole Fig G on page 10)**. NOTE: Be sure long side of shield is towards tractor. Once you get the bolt in place it should look like **(Figure H on Page 10)**.

### **STEP 6**

Be sure and tighten all nuts and bolts. **(Figure I on page 10 is complete unit assembled)**

**CONTINUE TO INSTRUCTIONS ON PAGE 11, BEFORE PUTTING UNIT INTO SERVICE**

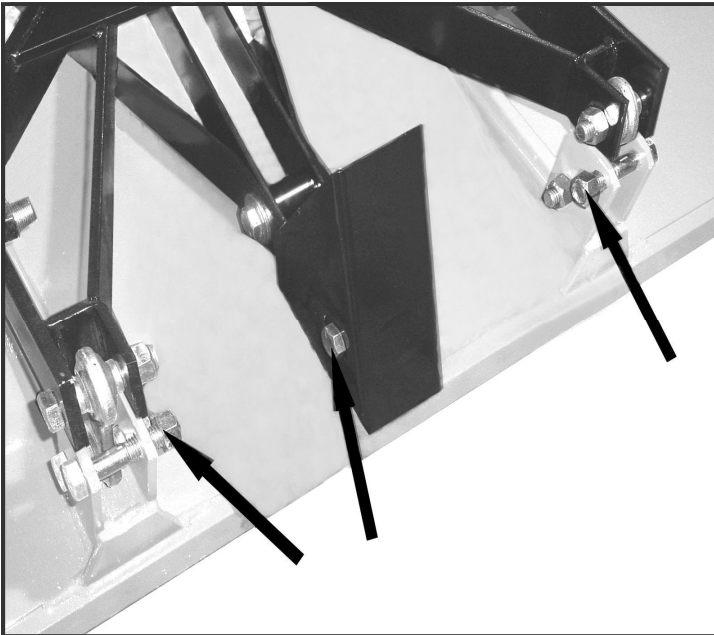




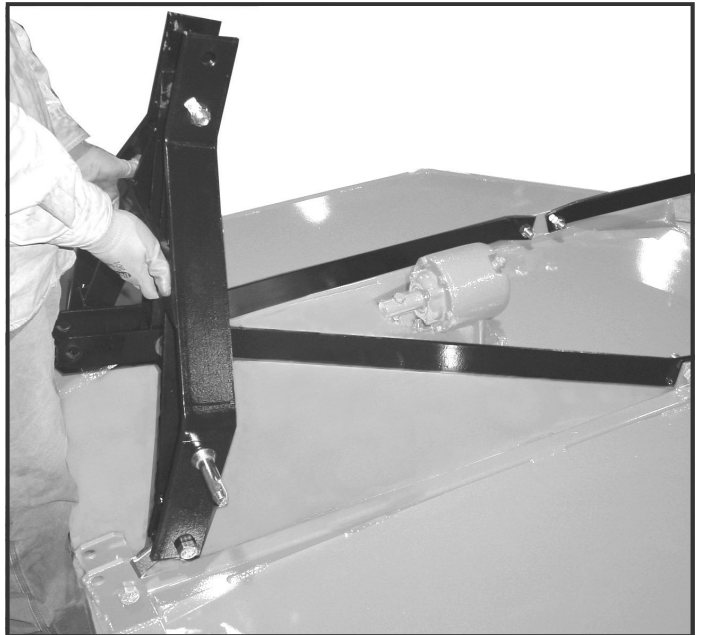
**Figure A**



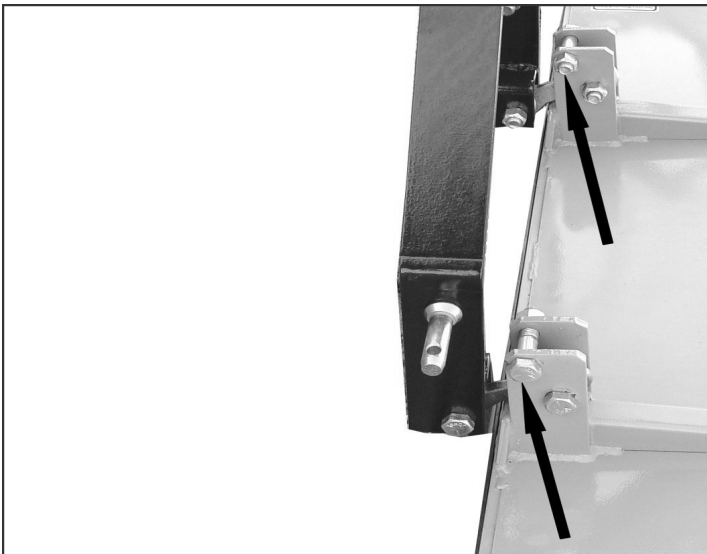
**Figure B**



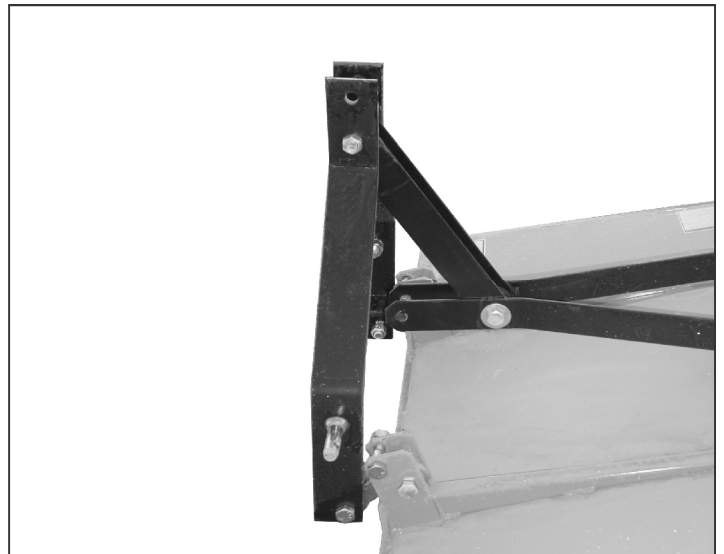
**Figure C**



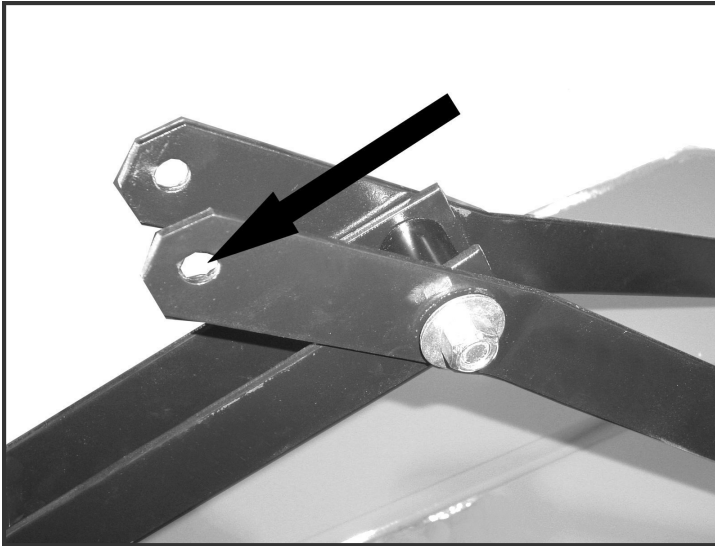
**Figure D**



**Figure E**



**Figure F**



**Figure G**



**Figure H**



**Figure I**

## BEFORE PUTTING ROTARY MOWER INTO SERVICE

(**IMPORTANT**-INSTRUCTIONS PRIOR TO START UP)  
**SHIPPED WITH OIL IN GEARBOX**  
SHIPPED WITHOUT GREASE IN GREASE FITTINGS.  
UNIT MUST BE SERVICED BEFORE USING.

- \*When Adding Oil Use Multi-Purpose Gear Oil (I.E. S.A.E. 80w/90 or S.A.E. 85w/140 Multi-purpose gear oil) in Gearbox.
- For all Grease Fittings use TYPE/grade II tube grease.

### STEP 1 STEP 2

Place rotary mower so that the deck is secure and level.

Remove 1/2" Pipe Plug (Located at top of gearbox) and 1/8" Pipe Plug (located at lower 1/3 of gearbox) if oil comes out lower hole replace lower plug immediately and continue to **Step 4**. If no oil comes out continue to **Step 3**.

### STEP 3

Now that you have checked the gearbox lubrication level and it is not level with 1/8" hole, **add one of the multi-purpose gear oils listed above\*** through top 1/2" hole until lubrication is level with lower 1/8" hole.

### STEP 4

Replace both the 1/2" pipe plug (located at top of gear box) and 1/8" pipe plug (located at lower 1/3 of gear box) and clean away any excess oil.

### STEP 5

Grease (with a grade II type tube grease),  
The following zerks:

Tail wheel, wheel fork (**See Figure M-1, page 22**).

Tail wheel fork (**See Figure M-1, page 22**).

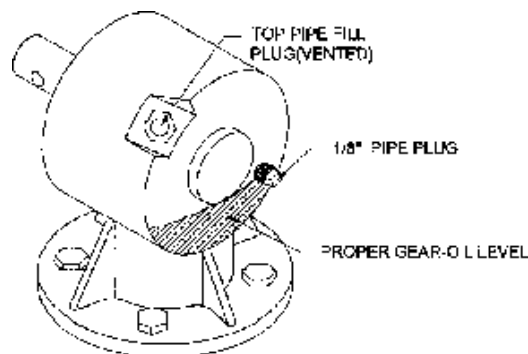
Both U-Joints on the PTO Shaft (**See Figure M-2, page 22**).

### STEP 6

Inspect all guards to insure they are in good working order. If not replace before using.

### STEP 7

Check all bolts, nuts and belt to insure they are tight and secure.



### **CAUTION:**

**DO NOT** over fill gearbox. This could cause damage to oil seals and can cause permanent damage to the gearbox. This issue will not be covered under warranty.

## SAFETY TRAINING



- I Safety is a primary concern in the design and manufacture of our product. Unfortunately, our efforts to provide safe equipment can be wiped out by a single careless act of an operator or bystander.
- I In addition to the design and configuration of equipment, hazard control and accident prevention are dependent upon the awareness, concern, prudence and proper training of personnel involved in the operation, transport, maintenance and storage of this equipment.
- I It has been said, “ The best safety device is an informed, careful operator.” We ask you to be that kind of operator. It is the operator’s responsibility to read and understand all safety and operating instructions in the manual and to follow them. Accidents can be avoided.
- I Working with unfamiliar equipment can lead to careless injuries. Read this manual, and the manual for your tractor, before assembly or operating, to acquaint yourself with the machines. If this machine is used by any person other than you, or is loaned or rented, it is the rotary mower owner’s responsibility to make certain that owner's manual be available to the operator prior to operating:
  - 1- Reads and understands the operator’s manuals.
  - 2- Is instructed in safe and proper use.
- I Know your controls and how to stop tractor, engine, and the mower quickly in an emergency. Read this manual and the one provided with your tractor.
- I Train all new personnel and review instructions frequently with existing workers. Be certain only a properly trained and physically able person will operate the machinery. A person who has not read and understood all operating and safety instructions is not qualified to operate the machine. An untrained operator exposes himself and bystanders to possible serious injury or death. If the elderly are assisting with farm work, their physical limitations need to be recognized and accommodated.

## PREPARATION



- I Never operate the tractor and mower until you have read and completely understand this manual, the Tractor Operator's Manual, and each of the safety messages found on the safety signs on the tractor and mower.
- I Personal protection equipment including hardhat, safety glasses, safety shoes, and gloves are recommended during assembly, installation, operation, adjustment, maintenance, repairing, removal, or moving the implement. Do not allow long hair, loose fitting clothing, or jewelry to be around equipment.
- I **PROLONGED EXPOSURE TO LOUD NOISE MAY CAUSE PERMANENT HEARING LOSS!** Tractors with or without mowers attached can often be noisy enough to cause permanent, partial hearing loss. We recommend that you wear hearing protection on a full-time basis if the noise in the operator's position exceeds 80 db. Noise over 80 db on a long-term basis can cause severe hearing loss. Noise over 90 db adjacent to the operator over a long-term basis may cause permanent, total hearing loss. **NOTE:** Hearing loss from loud noise (from tractors, chain saws, radios, and other such sources close to the ear) is cumulative over a lifetime without hope of natural recovery.
- I Operate the mower only with a tractor equipped with an approved Roll-Over-Protective System (ROPS). Always wear your seat belt. Serious injury or even death could result from falling off the tractor — particularly during a turnover when the operator could be pinned under the ROPS or the tractor.
- I Clear area to be cut of stones, branches or other debris that might be thrown, causing injury or damage.
- I Operate only in daylight or good artificial light.
- I Ensure mower is properly mounted, adjusted and in good operating condition.
- I Ensure that all safety shielding and safety signs are properly installed and in good condition.

## STARTING AND STOPPING SAFETY



- I Check the tractor master shield over the PTO stub shaft. Make sure it is in good condition and fastened securely to the tractor. Purchase a new shield if old shield is damaged or missing.
- I All tractors that are not equipped with a "live" power takeoff (PTO) need to be equipped with an over-running PTO clutch. These are available through most farm equipment stores. **NOTE:** The addition of an over-running PTO clutch may change the length of the PTO driveline required. Pay extra attention to the instructions on the PTO driveline Installation. Be sure that the driveline system guarding is adequate.
- I Mower operating power is supplied from tractor PTO. Refer to your tractor manual for PTO engagement and disengagement instructions. Know how to stop tractor and mower quickly in case of an emergency.
- I When engaging PTO, the engine RPM should always be at idle speed. Once engaged and ready to start cutting, raise PTO speed to 540 RPM and maintain throughout cutting operation.

## OPERATIONAL SAFETY



- I The use of this equipment is subject to certain hazards that cannot be protected against by the mechanical means or product design. All operators of this equipment must read and understand this entire manual, paying particular attention to safety and operating instructions, prior to using. If there is something in this manual you do not understand, ask your supervisor, or your dealer, to explain it to you.
- I Most accidents occur because of neglect or carelessness. Keep all helpers and bystanders at least several hundred feet from an operating rotary mower. Only properly trained people should operate this machine.
- I When machine is operated in populated areas where thrown objects could injure persons or property, **operation must be stopped when anyone comes within several hundred feet.**
- I The majority of the accidents involve entanglement on the driveline, injury of bystanders by the objects thrown by the rotating blades, and operators being knocked off the tractor by low hanging limbs and then being run over by the mower. Accidents are most likely to occur with machines that are loaned or rented to someone who has not read the owner's manual and is not familiar with a rotary mower.
- I The rotary mower is designed for use only on tractors with **540-RPM** power take off.
- I Install and secure all guards and shields before starting or operating. The discharge chute, bands, flaps, driveline guards and tractor, shields should be used and maintained in good working condition. They should be inspected carefully, at least daily, for missing or broken cable, chain links, shields, or guards. (Worn items must be replaced at once to reduce possibility of injury)
- I Disengage power takeoff (PTO) and place transmission in neutral before attempting to start engine.
- I Many varied objects, such as wire, cable, rope, or chains, can become entangled in the operating parts of the mower. These items could then swing outside the housing at greater velocities than the blades. Such a situation is extremely hazardous. Inspect the cutting area for such objects before mowing. Remove any like objects from the site.

## OPERATIONAL SAFETY *continued...*



- I Never allow the cutting blade to contact such items. Cut material higher at first, allowing rotary mower to clear hidden objects. Never assume an area is clear.  
**Always Check!**
- I Always stop the tractor, disengage PTO, set brake, shut off the tractor engine, remove the ignition key, lower implement to the ground and allow mower blades to come to a complete stop before dismounting tractor. Never leave equipment unattended with the tractor running.
- I Never place hands or feet under mower with tractor engine running or before you are sure all motion has stopped. Stay clear of all moving parts.
- I Do not reach or place any part of your body under equipment until it is blocked securely.
- I Do not allow riders on the rotary mower or tractor at anytime. There is no safe place for any riders.
- I Do not operate unless all personnel, livestock, and pets are several hundred feet away to prevent injury by thrown objects.
- I Never operate tractor and rotary mower under trees with low hanging limbs. Operators can be knocked off the tractor and then run over by the rotating blades.
- I The rotating parts of this machine have been designed and tested for rugged use. However, they could fail upon impact with heavy, solid objects such as steel guardrails and concrete abutment. Such impact could cause the broken objects to be thrown outward at very high velocities. To reduce the possibility of property damage, serious injury, or even death, never allow the cutting blades to contact such obstacles.
- I Stop mower and tractor immediately upon striking an obstruction. Turn engine off, remove key, inspect and repair any damage before resuming operation.
- I Stay alert for uneven terrain, holes, rocks, and roots and other hidden hazards. Keep away from drop-offs and hazards that could cause roll over.
- I Use extreme care and maintain minimum ground speed when transporting or operating on hillsides, over rough ground and when operating close to ditches or fences. Be careful and slow down when turning sharp corners and changing direction on slopes. Do not start or stop suddenly on slopes. Avoid operation on steep slopes. In extremely uneven terrain, rear wheels weights, front tractor weight, and/or tire ballast should be used to improve stability.

## OPERATIONAL SAFETY *continued...*



- I Pass rotary mower diagonally through sharp dips and avoid sharp drops to prevent “hanging up” tractor and rotary mower. Practice will improve your skills in maneuvering on rough terrain. Always cut down slopes, never across the face. Always check tractor manual for proper use on slopes.
- I When using a unit, a minimum 20% of tractor and equipment weight must be on tractor front wheels. Without this weight, tractor could tip over, causing personal injury or death. The weight may be attained with a front- end loader, front wheel weights, ballast in the tires or front tractor weights. When attaining a minimum 20% of tractor and equipment weight on the front wheels, you must not exceed the ROPS weight certification. Weigh the tractor and equipment. **Do not guess or estimate!**

## TRANSPORT SAFETY

- I Comply with state and local laws governing highway safety and movement of farm machinery on public roads.
- I The use of flashing amber lights is acceptable in most localities. However, some localities prohibit their use. Local laws should be checked for all lighting and marking requirements.
- I At all times, when driving the tractor and equipment on the road or highway under 20 mph (32 kph) use flashing amber warning lights and a slow moving vehicle (SMV) identification emblem. Do not exceed 20 mph (32 kph). Reduce speed on rough roads and surfaces.
- I Plan your route to avoid heavy traffic.
- I Always install transport locks, pins or brackets before transporting.
- I Do not drink and drive.
- I Be a safe and courteous driver. Always yield to oncoming traffic in all situations, including narrow bridges, intersections, etc. Watch for traffic when operating near or crossing roadways.
- I Turn curves or go up or down hills only at a low speed and at a gradual steering angle. Make certain that a least 20% of the tractor’s weight is on the front wheels to maintain safe steering. Slow down on rough or uneven surface. Always check tractor manual for proper use on slopes.
- I Use extreme care and maintain minimum ground and when operating close to ditches or fences. Be careful when turning sharp corners.
- I Never allow riders on either tractor or mower.



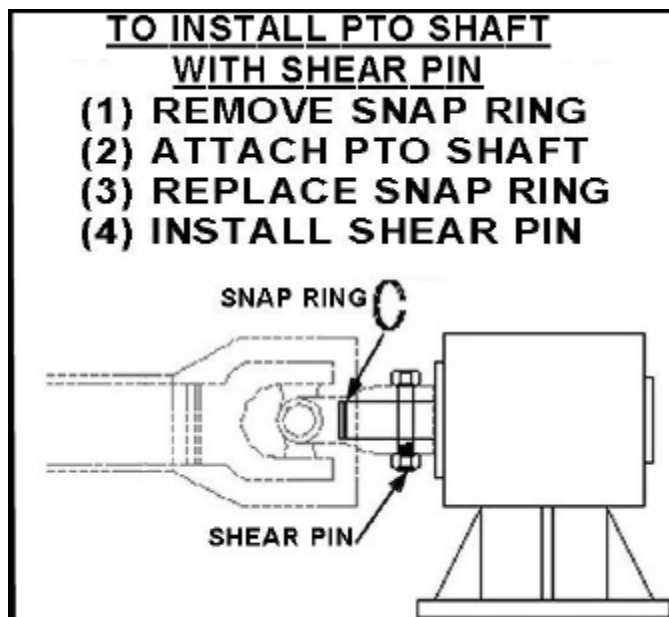
## ATTACHING TO TRACTOR



### **WARNING**

Never stand between tractor and rotary mower while backing up tractor to the hitch.

**STEP 1** Attach to tractor's category 1 three point hitch as described in the Tractor's Operator's Manual.



### **WARNING**



Failure to install retaining clip on gearbox input shaft would allow driveline to swing freely if bolt is sheared causing possible injury or death.

### **STEP 2**

Determine if the PTO shaft needs to be shortened.

### **NOTE:**

Due to the many variations in the tractor hitch points and distances between equipment gearbox input shaft and tractor PTO output shafts, some combinations may require PTO shafts to be shortened as described by the following steps.

### **STEP 3**

Raise and lower rotary mower in order to locate the shortest distance between equipment gearbox input shaft and tractor PTO output shaft. With the rotary mower in the shortest distance position shut down the tractor and **SECURELY BLOCK ROTARY MOWER IN POSITION.**

### **STEP 4**

Pull apart PTO shaft and attach outer section to tractor PTO output shaft.

**NOTE:** Be sure to pull on PTO shaft section to ensure yoke has locked into place.

## **ATTACHING TO TRACTOR** *continued....*

**STEP 5** Place and hold inner PTO shaft section next to outer section and check if PTO shaft is too long. Each section should end approximately 3 inches short of reaching u-joint shield on the opposite section. If the shaft is too long measure 3 inches back from each u-joint shield and mark the other shaft section. Be sure to do this for both PTO shaft halves. **NOTE:** Do not cut PTO shaft sections at this time.

### **STEP 6**

Raise rotary mower and remove blocking. Raise and lower rotary mower in order to locate the longest distance between equipment input shaft and the tractor PTO output shaft. With the rotary mower in the longest distance position, shut down the tractor and **SECURELY BLOCK THE ROTARY MOWER IN POSITION.**

### **STEP 7**

As in step 5 hold PTO shaft sections together and check for a minimum of 6 inches of overlap. If PTO shaft has been marked for cutting the overlap is the distance measured between the two marks. If the PTO shaft has less than a 6 inch overlap, **DO NOT USE.** Contact your authorized King Kutter Dealer.

### **NOTE**

If the PTO shaft length is too long go to **SIZING PTO SHAFT (page 19)**

### **STEP 8**

Apply any multi-purpose grease to the outside of the male (inner) PTO shaft section. Assemble PTO shaft and install on rotary mower and tractor.

**NOTE:** If you shear the bolt that attaches the PTO shaft to the gear box replace with a grade 2 bolt only . Replacement with another grade of bolt will void your warranty and may cause terminal damage to the PTO shaft, gearbox, or tractor. (King Kutter shear pin 5 pack part #500101)

**WARNING** - Failure to install retaining clip on gearbox input shaft would allow driveline to swing freely if bolt is sheared causing possible injury or death.

### **STEP 9**

Pull on tractor side of PTO shaft yoke to be sure it has locked in place. Make certain PTO shaft shielding is in place and good working condition.

### **STEP 10**

The PTO shaft shield is a non-rotating design and must be secured prior to equipment use. Using the chain on each yoke shield attach to a fixed object on the tractor and equipment ends that will not allow the PTO shaft shield to rotate during operation.

## SIZING PTO SHAFT

### STEP 1

Cutting the PTO shaft to length. **NOTE:** Be sure to cut equal lengths of each PTO shaft section. Clamp end of PTO shaft in a vice and cut off shield where marked. (Figure 1-A & 1-B)

### STEP 2

Using cut section of the shield as a guide cut shaft off the same amount. (Figure 2)

### STEP 3

Repeat steps 1 and 2 for other PTO shaft section.

### STEP 4

Use a file to deburr PTO shafts. Clean up all chips, burrs and filings from both ends of the PTO shaft.

**Note:** If you shear the bolt that attaches the PTO shaft to the gearbox replace with a grade 2 bolt only. Replacement with another grade of bolt will void your warranty and may cause terminal damage to the PTO shaft, gearbox, or tractor.



Figure 1-A



Figure 1-B



Figure 2

## OPERATING INSTRUCTIONS

This mower was designed to CUT PASTURE GRASS AND ROUGH AREAS UP TO 1" IN DIAMETER. Use of your rotary mower to cut any material larger than 1" in diameter may damage the mower and void your warranty.

### PRE-OPERATIONAL ADJUSTMENTS

Set tractor's lift control stop at a position that will prevent the PTO shaft from coming in contact with the front edge of the mower when it is at full lift. Consult your tractor manual for instructions.

### CUTTING HEIGHT ADJUSTMENT

To prevent mower blades from striking the ground or hidden objects, your mower should be set to the highest position that will give the desired cutting height. By setting your mower up this way you reduce blade wear and stress to the mower. Mowing at regular intervals will yield far better results than periodic mowing (i.e. less wind rowing). To adjust cutting heights follow these steps.

#### STEP 1

Raise rotary mower off the ground with the tractor and **SECURELY BLOCK IN POSITION**. Remove 5/8" bolt from adjusting bracket. **(See Figure K)**

#### STEP 2

Move the A-frame tail wheel up or down to desired cutting height. Re-install 5/8" bolt and tighten to secure in position. **(See Figure L)**

**Note:** It may be necessary to loosen the A-frame tail wheel attachment bolts. **(See Figure L)** as shown by the arrow.



Figure K

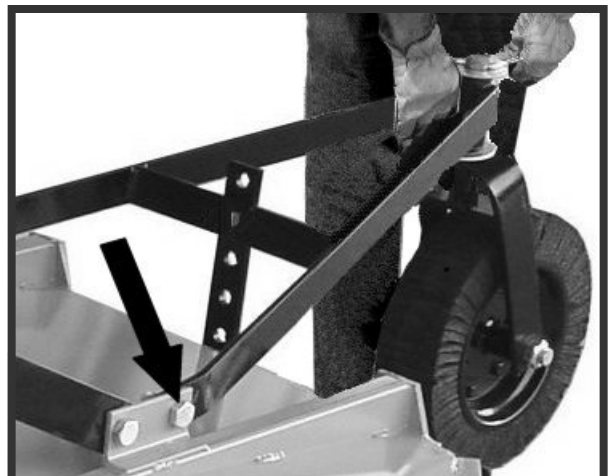


Figure L

**Note:** For best results in heavier cutting conditions adjust the deck so the rear of the mower is approximately 2" higher than the front. This method requires less horsepower and ground speeds of approximately 3-5mph. If finer shredding results are desired, adjust the deck to level or slightly lower in the rear. This method will keep foliage under the deck longer resulting in finer pieces. The down side of this method is if it takes a lot more horsepower and very slow ground speed. This method is not recommended unless a **PTO speed of 540 RPM** can be maintained.

## **ROTARY MOWER OPERATION**

### **STEP 1**

Before each use perform the maintenance described in maintenance section. **(page 22)**

### **STEP 2**

Read, understand, and follow the information on safety training, preparation, starting and stopping safety, operational safety, transport safety warning sections of this manual (pages 11 thru 16)

### **STEP 3**

With tractor running, lower rotary mower into working position.

### **STEP 4**

With the tractor at idle RPM, engage PTO and slowly advance throttle to 540 PTO RPM.

NOTE: Rotary mower designed to run at **540 PTO RPM** only.

### **STEP 5**

Select a low gear for the tractor and begin to mow. Tractor ground speed is to be controlled by gear selection only and not engine speed. Tractor ground speed should allow rotary mower to maintain 540 PTO RPM and thus maximum blade tip speed.

**NOTE:** Do not allow the tractor engine or rotary mower to bog down or stall. This causes undue wear and tear on the mower and tractor. If this continues to happen reduce ground speed and raise cutting height of rotary mower until the **540 PTO RPM** is able to be maintained.



Never attempt to clean out a plugged discharge chute until the tractor has been shut down and the mower blades have completely stopped.

### **STEP 6**

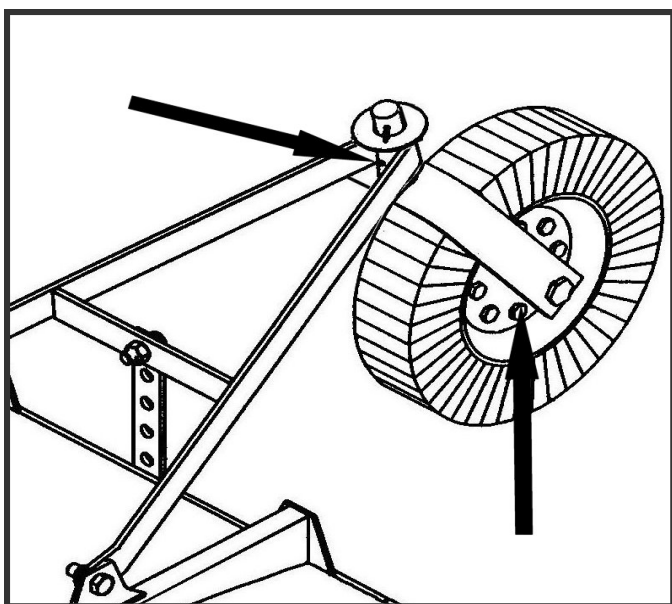
After each use clean all debris from the top and bottom of the rotary mower. Replace any missing or illegible safety decals. Inspect for any damaged or worn parts and replace before next use. Store rotary mower in a dry environment.

## MAINTENANCE

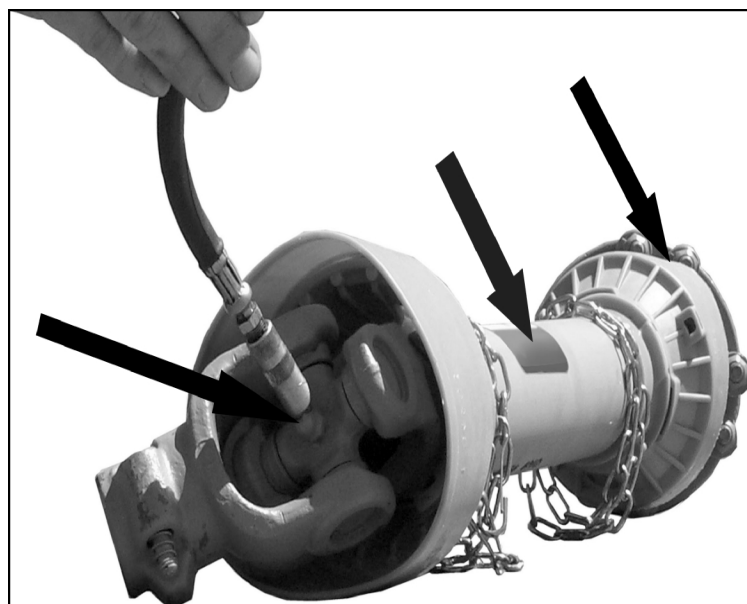
- 1). Periodically check and maintain proper gear oil level.
- 2). Every 8 hours, grease wheel fork (s), wheel hub (s), PTO shaft universal joints (2), and PTO telescoping surface. **(See Figures M-1 & M-2)**

**NOTE: Use only a grade Type II tube grease.**

- 3). Before each use check to make sure all safety features are installed and working properly.
- 4). Keep blades sharp and balanced at all times. When replacing blades, replace all blades and blade bolts at the same time.
- 5). Periodically check all nuts and bolts to insure they are tight and secure.



**Figure M-1**  
**(grease points)**



**Figure M-2**  
**(U-joints)**

## **MAINTENANCE SAFETY**



- | Good maintenance is your responsibility. Poor maintenance is an invitation to trouble.
  - | Follow good shop practices.
  - | Keep service area clean and dry
  - | Be sure electrical outlets and tools are properly grounded
  - | Use adequate light for the job at hand.
  
- | Make sure there is plenty ventilation. Never operate the engine of the towing vehicle in a closed building. The exhaust fumes may cause asphyxiation.
- | Before working on this machine, disengage the PTO, shut off the engine, set the brakes, and remove the ignition keys.
- | Be certain all moving parts on attachments have come to a complete stop before attempting to perform maintenance.
- | Never work under equipment unless it is blocked securely.
- | Always use personal protection devices such as eye, hand and hearing protectors, when performing any service or maintenance.
- | Frequently check mower blades. They should be sharp, free of nicks and cracks and securely fastened.
- | Periodically tighten all bolts, nuts, and screws and check that all cotter pins are properly installed to ensure unit is in safe condition.
- | When completing a maintenance or service function, make sure all safety shields and devices are installed before placing unit in service.
- | After servicing, be sure all tools, parts and service equipment are removed from mower.
- | Do not allow debris, grease or oil to build up on any deck or platform.
- | Where replacement parts are necessary for periodic maintenance and servicing, genuine factory replacement parts must be used to restore your equipment to original specifications.
- | The manufacturer will not be responsible for injuries or damages caused by use of unapproved parts and/or accessories.
- | A fire extinguisher and the first aid kit should be kept readily accessible while performing maintenance on this equipment.

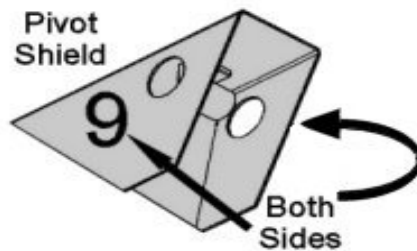
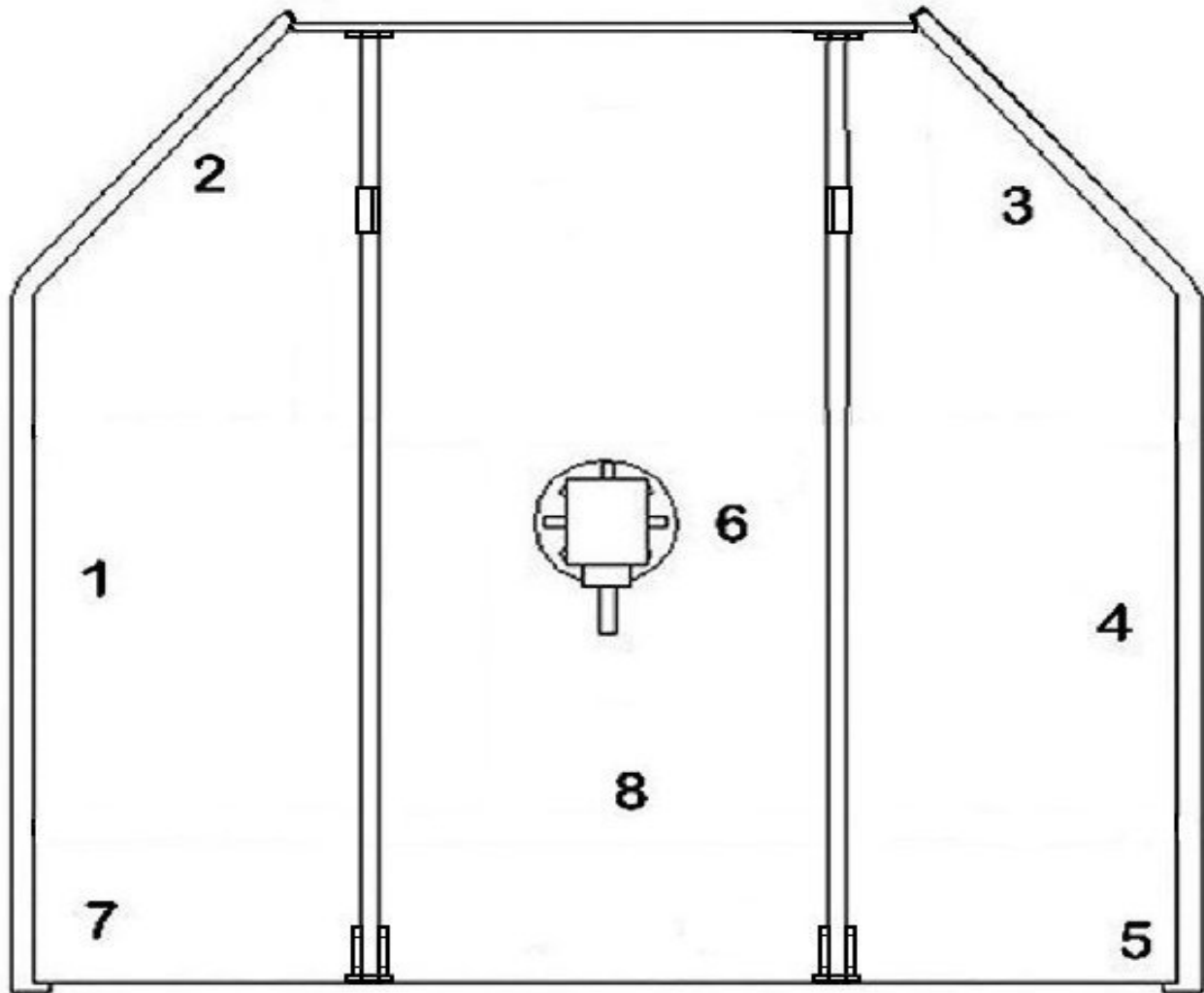
## **STORAGE SAFETY**



- | Following operation, or when unhooking the mower, stop the tractor, set the brakes, disengage the PTO, shut off the engine and remove the ignition keys.
- | Store the unit in an area away from human activity.
- | Do not park equipment where it can be exposed to direct contact to livestock for long periods of time. Damage and livestock injury could result.
- | Make sure all parked machines are on a hard, level surface and engage all safety devices.

## SAFETY SIGN LOCATIONS

The types of safety signs and locations on the equipment are shown in the illustration below. Good safety requires that you familiarize yourself with the various safety signs, the type of warning and the area, or particular function related to that area, that requires your **SAFETY AWARENESS**



**REMEMBER:** If safety signs have been damaged, removed, become illegible or parts have been replaced without signs, new safety signs must be applied. New safety signs are available from your authorized dealer, distributor or factory.



# **WARNING**

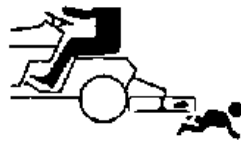
## To prevent serious injury or death:

*Si no lee ingles, pida ayuda a alguien que si lo lea para que le traduzca las medidas de seguridad.*

- Read and understand Operator's Manual before using. Review annually.
- Do not permit riders on the tractor or mower, including children.
- Do not allow children to operate mower.
- Operate only with guards installed and in good working condition.
- Keep away from moving parts.
- Operate only with tractor equipped with ROPS and seatbelts.
- Before mowing, clear debris from mowing area.
- Do not operate in the raised position.
- Stop engine, lower mower, set brake and wait for all moving parts to stop before dismounting.
- Support mower securely before working beneath unit.
- Transport with clean reflectors, SMV and working lights as required by federal, state, and local laws.
- Keep yourself, others, and clothing away from the rotating PTO.
- Keep others away from area to be mowed to avoid injury from flying objects.
- Do not stand between tractor and mower.
- Be careful on uneven terrain. Decrease speed when turning.
- Do not exceed a safe transport speed.

1

# **DANGER**



## **ROTATING BLADES-KEEP AWAY**

To prevent serious injury or death when the engine is running and the blades are rotating:

- Never allow riders, especially children, on tractor or mower.
- Do not operate with bystanders in mowing area.
- Do not operate with deflectors/guards removed.
- Do not place hands or feet under deck.
- Do not stand on or near implement at any time.
- Do not stand between tractor and implements.
- Operate only with tractor equipped ROPS and seatbelts.

2

**⚠ DANGER**



**THROWN OBJECT HAZARD**  
To prevent serious injury or death:

- Do not operate unless all guards are installed and in good condition.
- Stop blade rotation if bystanders come within several hundred feet.

3

**⚠ DANGER**



**ROTATING DRIVELINE HAZARD  
KEEP AWAY**

To prevent serious injury or death from rotating driveline:

- Keep all guards in place when operating.
- Operate only at 540 RPM
- Keep hands, feet, clothing and hair away from moving parts.
- Do not operate without driveline securely attached at both ends.
- Do not operate without driveline shields that turn freely on driveline.

4

**! WARNING**



**TO PREVENT SERIOUS INJURY OR DEATH**

- Keep hands and body out of hitch area when attaching mower to tractor.
- Keep body clear of crush point between tractor and mower.

5

**NO GREASE  
IN FITTINGS  
WHEN SHIPPED.**

6

**Operators Manuals are  
available from  
your dealer, or**

**King Kutter, INC.  
P.O. Box 1200  
Winfield, AL 35594  
(205) 487-3202  
[www.kingkutter.com](http://www.kingkutter.com)**

7



**MODEL NO.**  
**DESCRIPTION**  
**SN# XXXXXXXXXXXX**

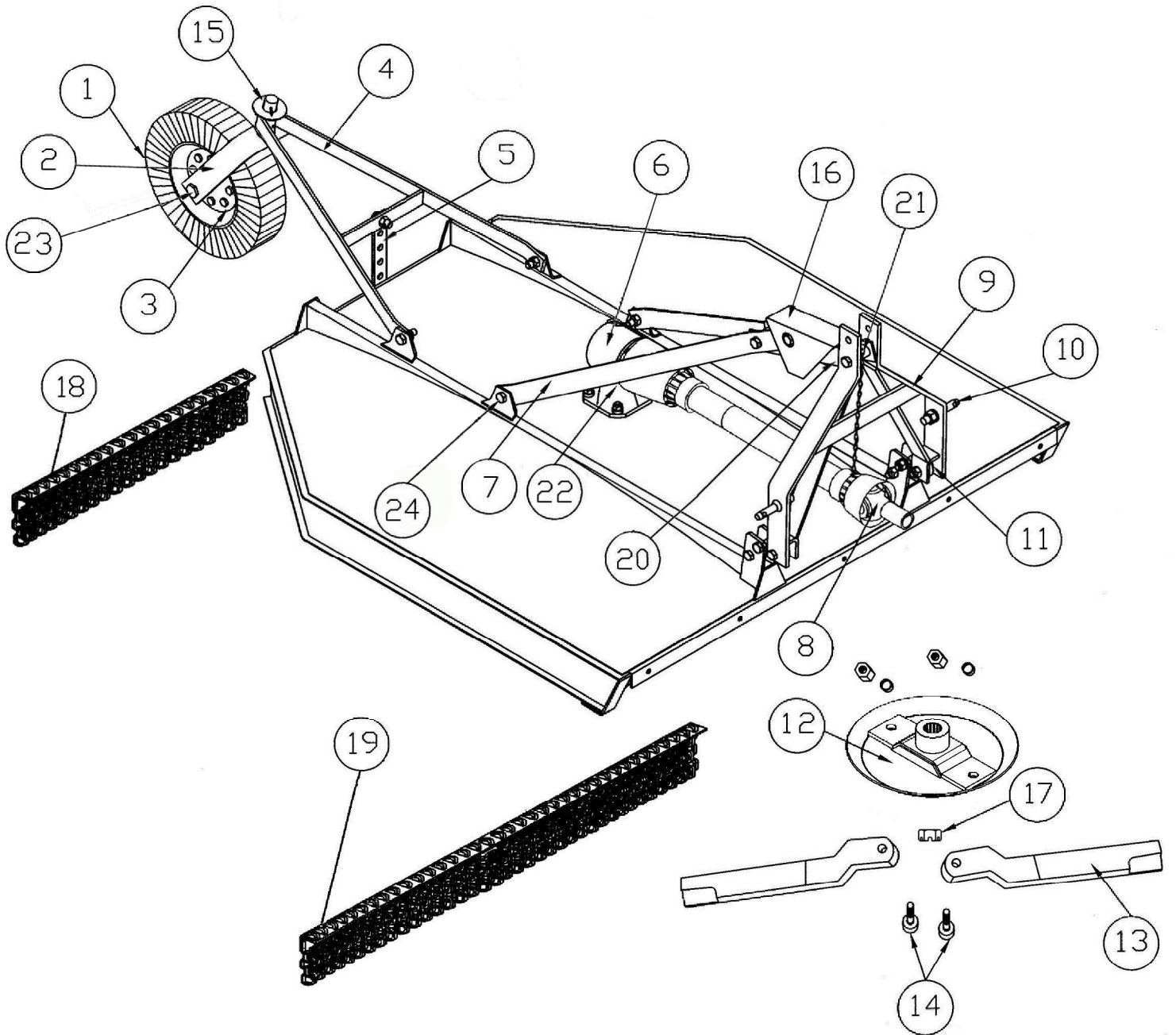
8



9

# NOTES:

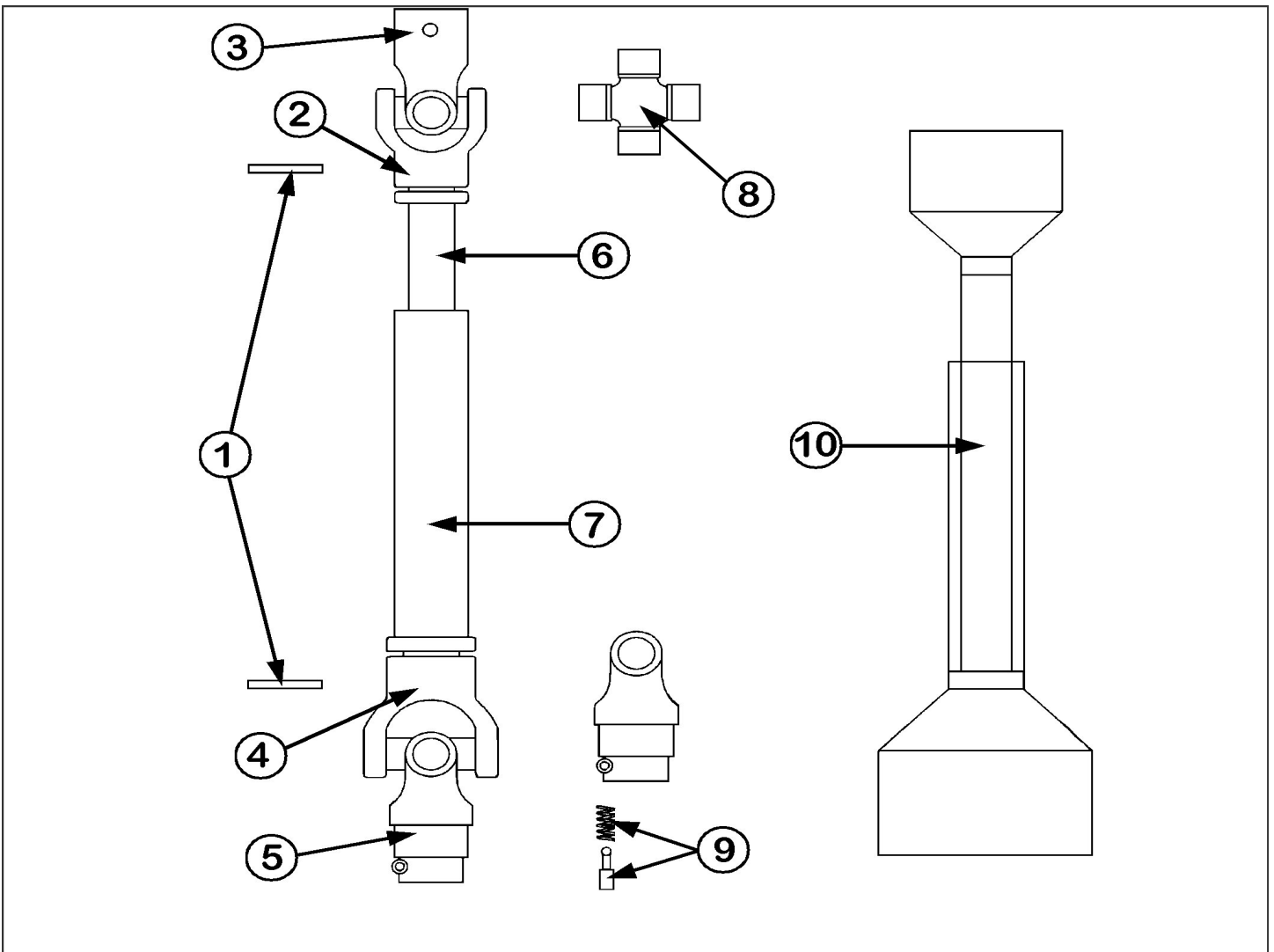
# FLEX HITCH KUTTER



Ref. No.	Part Name	Part Number				
		4 Ft. 40 HP	5 Ft. 40 HP	Stainless 5 Ft. 40 HP	6 Ft. 40 HP	6 Ft. 60 HP
1	Tire & Rim /w Hub	403001	403001	403001	403001	403001
2	Wheel Fork Assembly	403019	403019	403019	403019	403019
3	Wheel Hub Assembly	191100	191100	191100	191100	191100
4	A-Frame Assembly	401024	401024	401024	401009	401009
5	A-Frame Height Adjust.	310099	310099	310099	310099	310099
6	Gear Box Slick	184000	184005	-	184005	-
6	Gear Box Splined	-	184010	184010	184010	184065
7	Lift Arm Brace Kit (1-Arm, 1-Bolt, 1-Spacer, 1-Flat Washer, 1- Lock Nut)	501020	501025	501025	501025	501025
8	PTO Shaft w/Shear Pin	147029	147234	-	147242	-
8	PTO Shaft w/Slip Clutch	-	147134	147134	147342	147142
9	Lift Arm Assembly	403661	403663	403663	403663	403663
10	Cat. 1 Lift Pins (Pkg. 2)	500001	500001	500001	500001	500001
11	Swivel Link Set (Pkg. 2)	502010	502010	502010	502010	502010
12	Stump Jumper	403031	403031	403031	403034	403036
13	Mower Blade Set (Pkg.2)	501118	501124	501124	501130	501130
14	Blade Bolt Set (Pkg.2)	501001	501001	501001	501001	501001
15	Wheel Washer Kit	501013	501013	501013	501013	501013
16	Pivot Shield Kit	501029	501029	501029	501029	501029
17	Castle Nut & Cotter Pin Pkg.	501110	501110	501110	501110	501110
18	Rear Chain Guard (Optional)	403971	403973	*403973	403975	403975
19	Front Chain Guard (Optional)	403970	403972	*403972	403974	403974
20	Pivot Bar	401031	401031	401031	401031	401031
21	Spacer & Bolt Kit	501095	501095	501095	501095	501095
22	Shear Bolt Kit (Pkg. 5)	500101	500101	-	500101	-
22	Slip Clutch	-	-	Pg. 34	-	Pg. 34
23	Axle Bolt w/Nut	501280	501280	501280	501280	501280
24	Brace Arm Spacer Kit	501500	501500	501500	501500	501500

**\*Front & Rear Chain Guards (Standard with 5' Stainless Steel Cutter)**

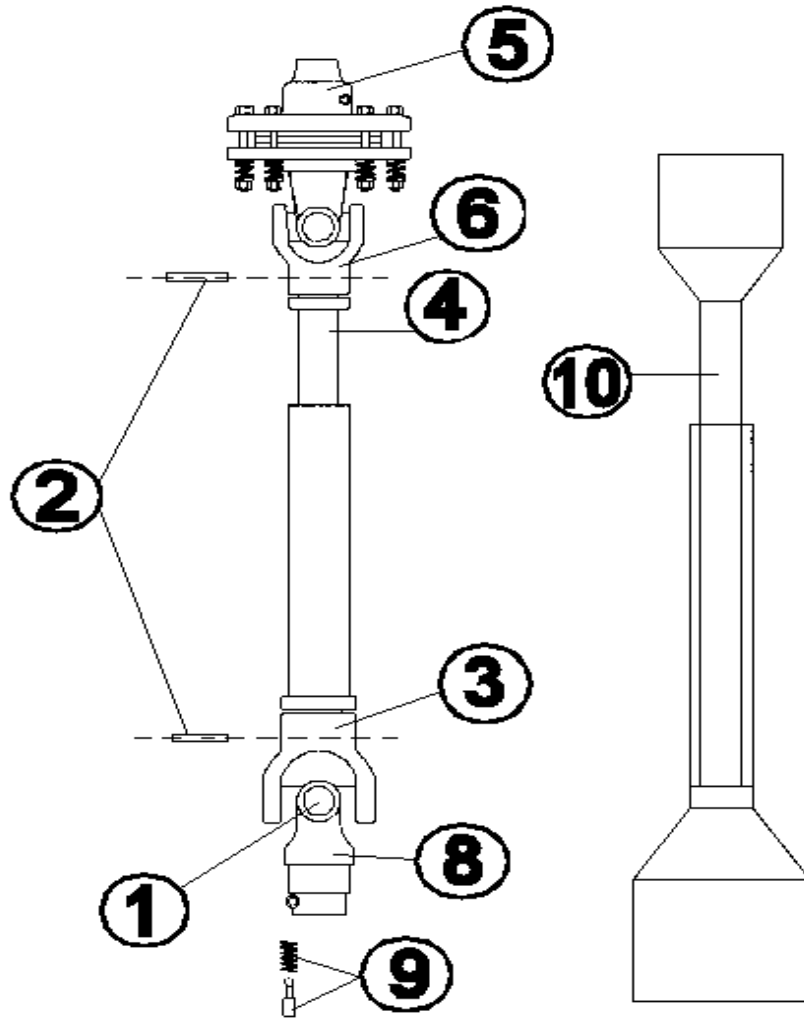
## SHEAR PIN PTO SHAFT



Ref. No.	Part Name	147029	147242	147234
1	Roll Pin Kit (2pk), (1) 8 x 55mm, (1) 8 x 60mm	500131	500131	500131
2	Male Tube End Yoke	151045	151045	151045
3	Implement End Yoke	151040	151040	151040
4	Female Tube End Yoke	151050	151050	151050
5	Tractor End Yoke	151035	151035	151035
6	Inner Tube 14 Series	151090	151090	151090
7	Outer Tube 14 Series	151091	151091	151091
8	Cross Kit # 4	170015	170015	170015
9	Quick Disconnect Pin	170110	170110	170110
10	Safety Shield BYPY	124310	124310	124310
10	Safety Shield Eurocardan	124311	124311	124311

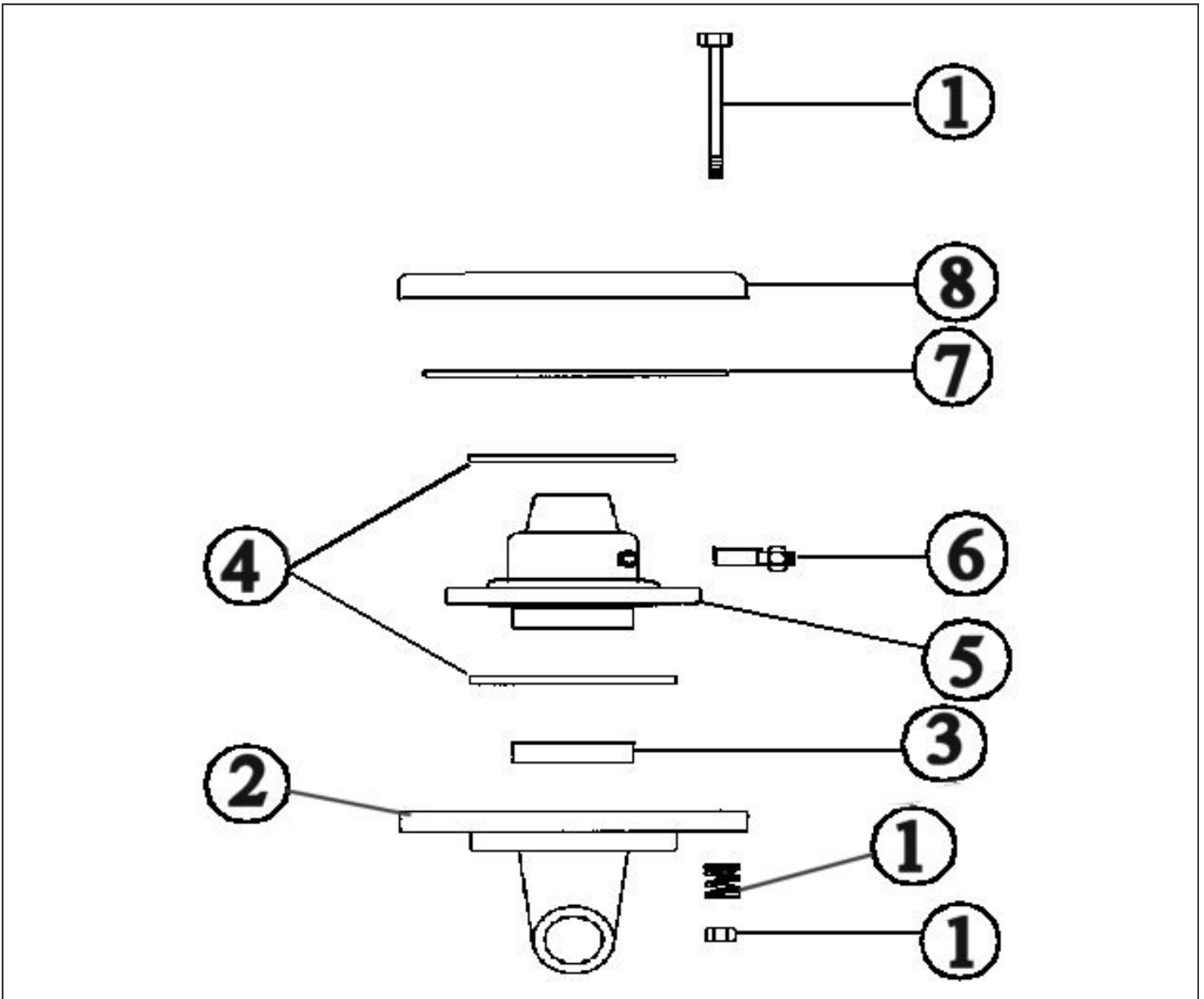


## SLIP CLUTCH PTO SHAFT



Ref. No.	Part Name	147134
1	Cross Kit	170020
2	Roll Pin	500131
3	Female Tube End Yoke	151070
4	Inner Tube	151092
5	Slip Clutch Assembly	Page 34
6	Male Tube End Yoke	151065
7	Outer Tube	151093
8	Tractor End Yoke	151055
9	Quick Disconnect Pin	170110
10	Safety Shield BYPY	124315
10	Safety Shield Eurocardan	124316

# SLIP CLUTCH ASSEMBLY



Ref. No.	Part Name	6"	7"	8"
1	Clutch Spring with Compression Bolts (Pkg 8)	500150	500150	500150
2	Flanged Yoke	140226	196006	196011
3	Sleeve		196005	196005
4	Clutch Plate	140219	196008	196003
5	Friction Hub	140220	196004	196007
6	Slip Clutch Lock Bolt		147350	147350
7	Slip Clutch Liner Plate	124317	196002	195998
8	Pressure Plate	140216	196001	196015

## PTO SHAFTS COVER REMOVAL (Pictures are on next page)

### **BONDIOLI- (BYPY)**

- 1). There are 3 white tabs around the cover as shown in **(A in FIG. 1)**. Take a screwdriver and press against the tabs one at a time with downward angular pressure toward the end of shaft marked **(B in FIG. 2)**. As you are pressing tab grasp cover at point marked **(B in FIG. 2)** and apply pressure against cover in the direction of arrow, do this for each tab. (Sometimes the other tabs may relock, if they do you must repeat unlock procedure.) You will feel it click when the tab releases, after all 3 tabs are released you can slide the cover down the shaft in direction of **(C in FIG. 2)**.
- 2) To put cover back into place slide cover back toward end until all the tabs relock. (You may have to tap lightly with screwdriver or hammer handle).

**NOTE: Cover may be longer on some models but, they will come off the same as above.**

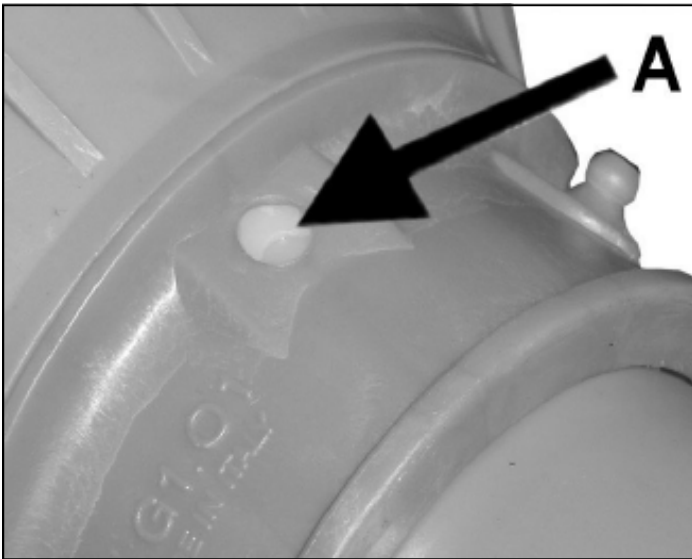
### **EUROCARDAN SERIES 4**

- 1) First you must locate the black tab **(D in FIG. 3)** put flat screwdriver in slot in end of tab and turn until the flat side is pointing towards center of shaft. Once you do this take the thin flat screwdriver and put into slot labeled **(E in FIG. 3)** pry tab all the way out as shown in **(FIG. 3)**
- 2). There are 3 white tabs around the cover as shown in **(G in FIG. 4)**. You must line up cover slots and tabs **(as shown in FIG. 4, F & G)** Take a screwdriver and press against the tabs one at a time with downward angular pressure toward the end of shaft. As you are pressing tab grasp cover and apply pressure against cover in the direction of arrow, **(H in FIG-3)** do this for each tab. (Sometimes the other tabs may relock, if they do you must repeat unlock procedure.) You will feel it click when the tab releases, after all 3 tabs are released you can slide the cover down the shaft in direction of **(H in FIG. 3)**.
- 3) To put cover back into place slide cover back toward end (be sure tabs and slots line up) until all the tabs relock. (You may have to tap lightly with screwdriver or hammer handle). Once they have relocked replace black tab that was removed with flat side toward shaft center then turn flat side up to lock in place.

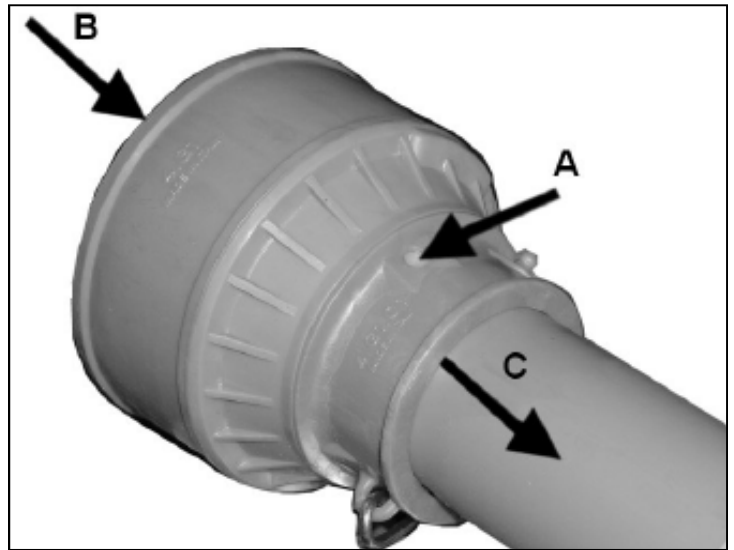
### **LA MAGDALENA**

- 1) There are 3 black tabs around the cover **(K in FIG. 5)**. Take a screwdriver and press against the tabs one at a time with downward angular pressure toward the end of shaft marked **(J in FIG. 5)**. As you are pressing tab grasp cover at point marked **(J in FIG. 5)** and apply pressure against cover in the direction of arrow, do this for each tab.
- 2) To replace slide cover back toward end and line up black tabs with the holes and lock in place.

**BONDIOLI COVER REMOVAL**

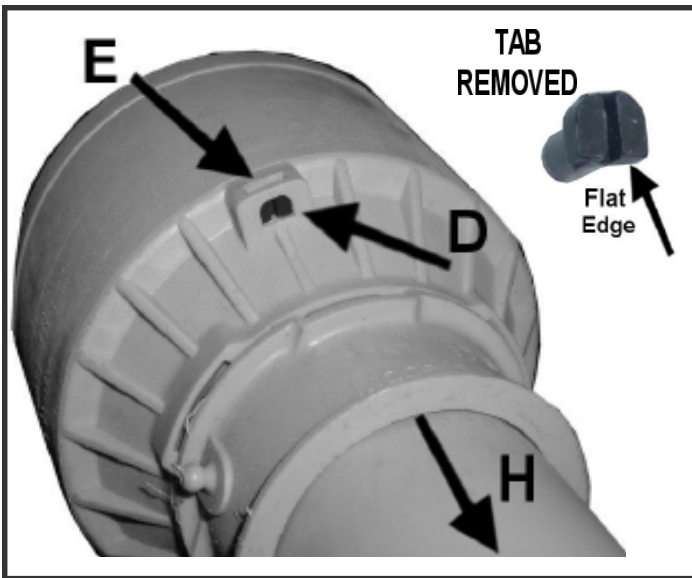


**FIGURE - 1**

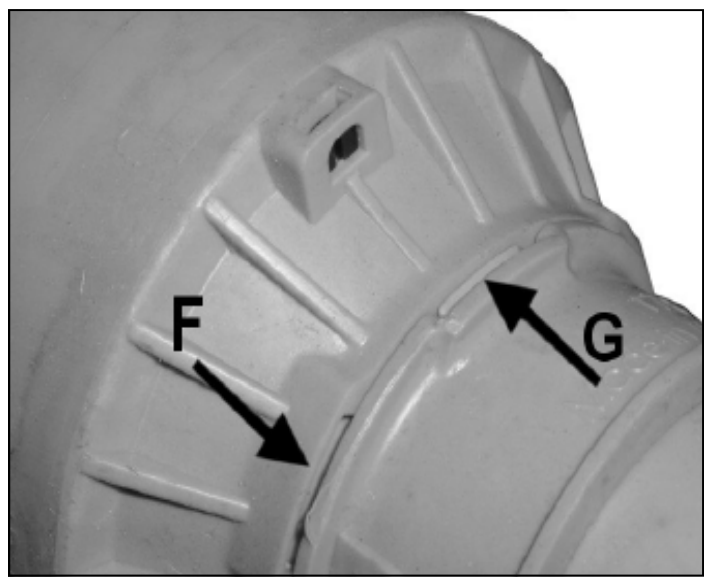


**FIGURE - 2**

**EUROCARDAN SERIES 4 COVER REMOVAL**



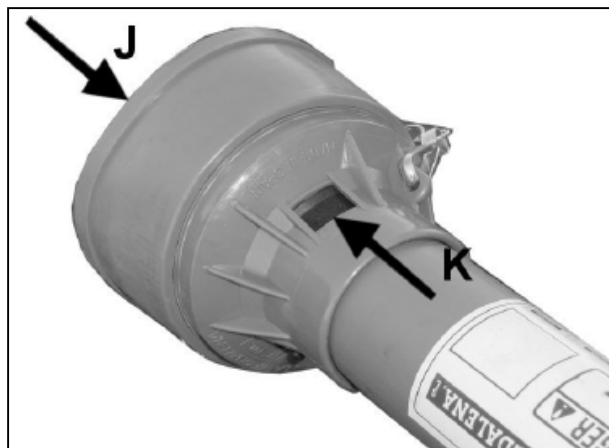
**FIGURE - 3**



**FIGURE - 4**

**LA MAGDALENA COVER REMOVAL**

**FIGURE - 5**



## PTO SHAFTS COVER REMOVAL

### EUROCARDAN SERIES 5

- 1). There are 2 black tabs around the cover as shown in **(B in FIG. 1)**. Take a flat screwdriver and pry under the tabs one at a time at point **(B in FIG. 2)** lifting tab over on top of **(e-shaped lock)**. After both tabs are released you can slide the locking ring down the shaft in direction of **(C in FIG. 3)**. Then you will see a metal e-ring **(E in FIG. 4)** at point **(D in FIG. 4)** you must pry under ring and remove it, (it will just slide down shaft unless you take PTO apart) then apply pressure against cover **(A in FIG. 1)** in the direction of arrow and slide cover down shaft.
  - 2) To put cover back into place slide cover back toward end, making sure cover and locking mechanism **(F in FIG. 4)** line up. Replace metal e-ring, slide the locking ring back into place, be sure the tabs lock securely over locks.
- NOTE: Cover may be longer on some models but, they will come off the same as above.**

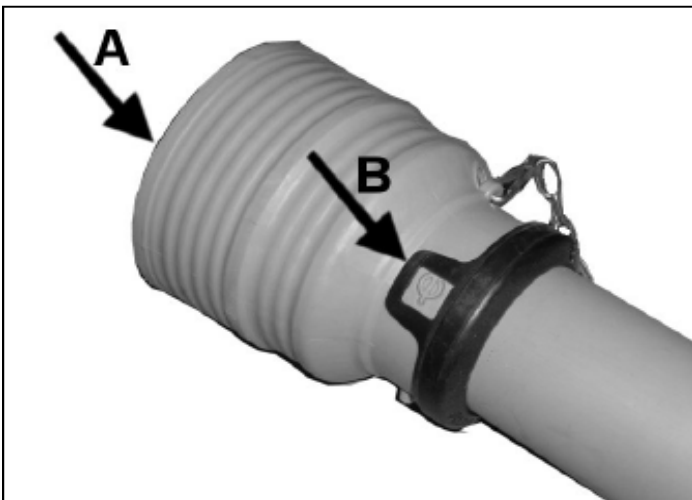


FIGURE- 1

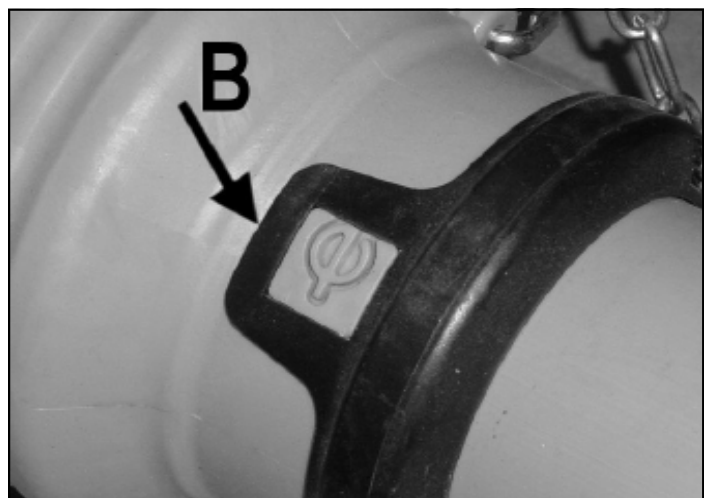


FIGURE- 2



FIGURE- 3

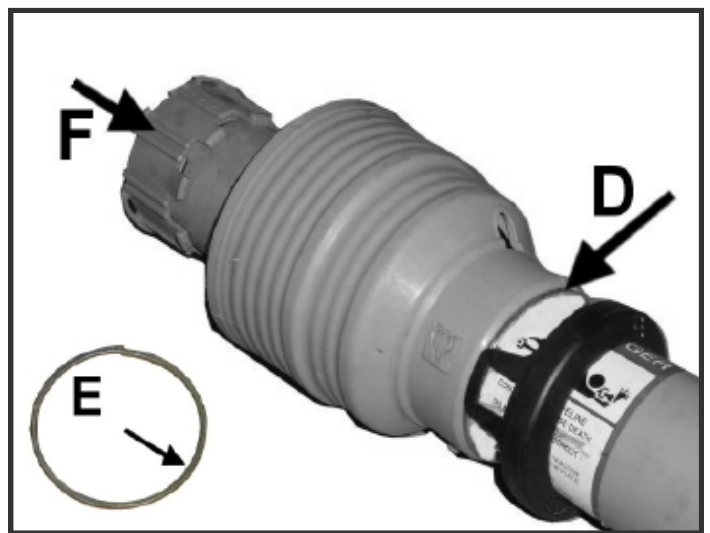
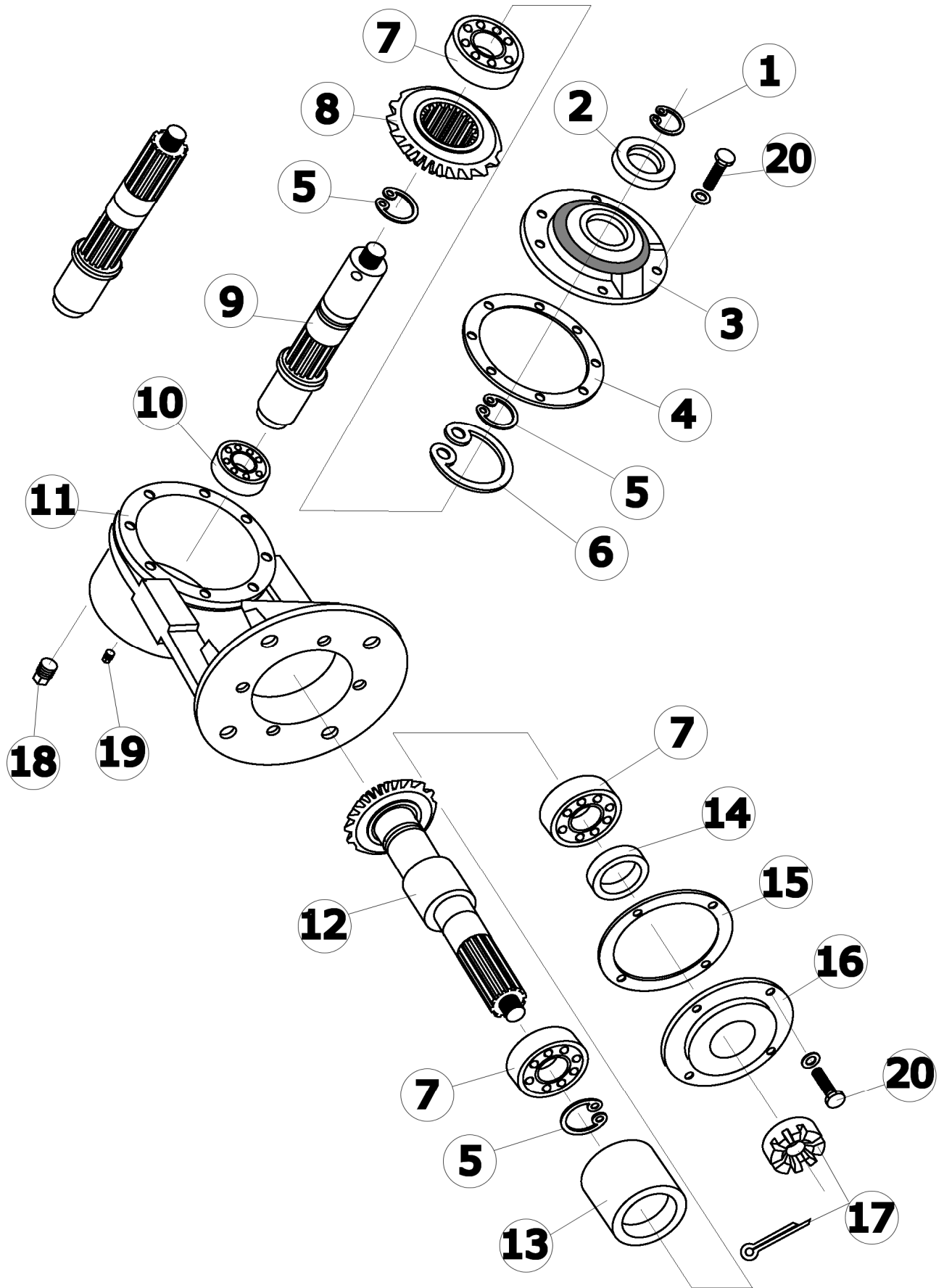


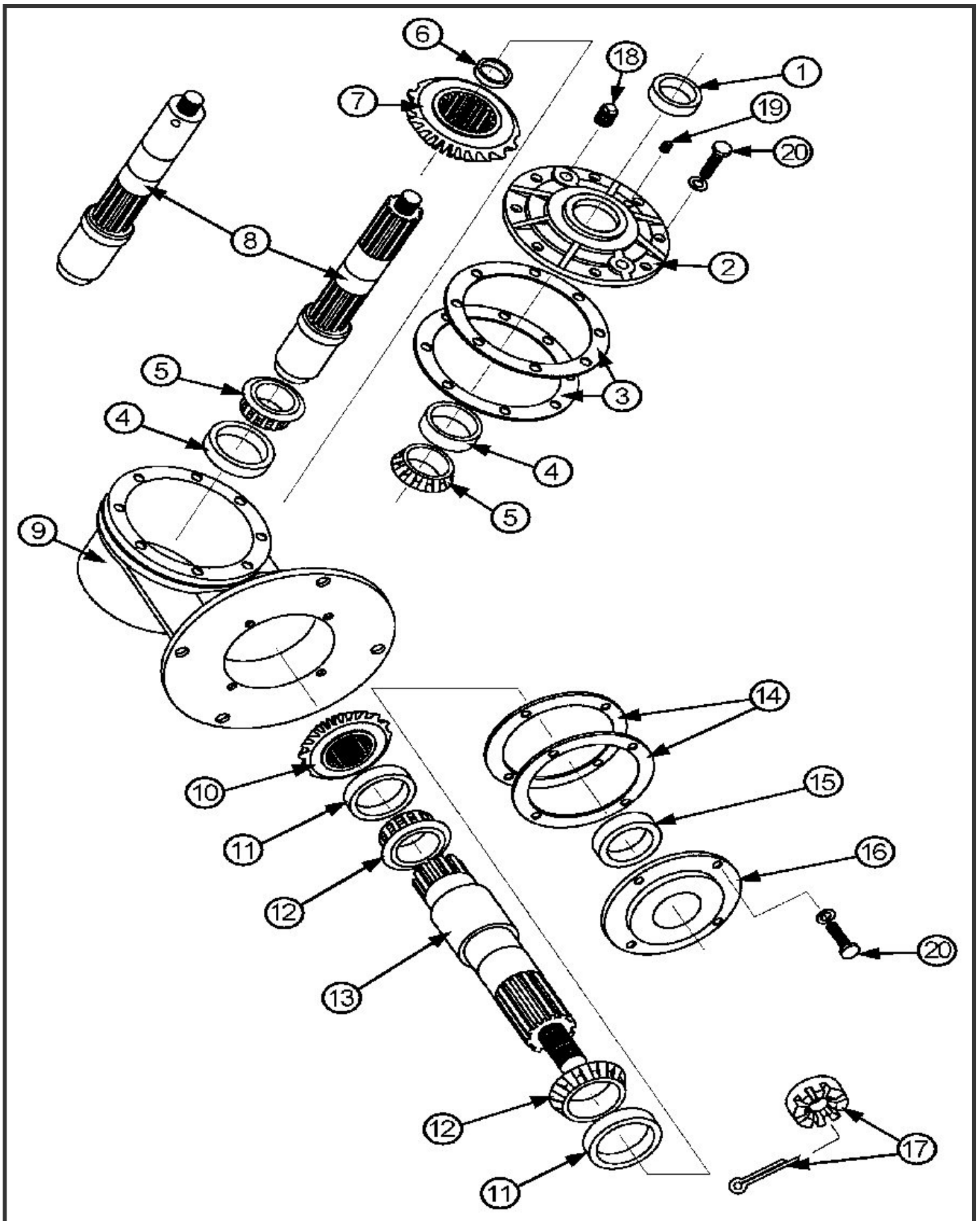
FIGURE- 4

# 40 HP GEARBOX



Ref. No.	Part Name	Gearbox 184000	Gearbox 184005	Gearbox 184010
1	Snap Ring	106138	106138	106138
2	Input Seal (NAK 35 x 54 x 10)	156010	156010	156010
3	Front Cap	129015	129015	129015
4	Front Cap Gasket	124130	124130	124130
5	Snap Ring	131031	131031	131031
6	Snap Ring	131030	131030	131030
7	Bearing (Hoover 208)	155005	155005	155005
8	Input Gear	185007	185010	185010
9	Input Shaft	186010	186010	186005
10	Bearing (NSK 6207)	155010	155010	155010
11	Housing	129010	129010	129010
12	Output Shaft	185005	185006	185006
13	Spacer	-	131045	131045
14	Output Seal (NAK 40 x 54 x 7)	156005	156005	156005
15	Bottom Cap Gasket	124131	124131	124131
16	Bottom Cap	129005	129005	129005
17	1' Castle Nut /w Washer & Cotter Pin	501110	501110	501110
18	1/2" Pipe Plug	131035	131035	131035
19	1/8" Pipe Plug	131040	131040	131040
20	3/8" x 1" Bolt & Lock washer	-	-	-

# 60 HP GEARBOX





Ref. No.		Part #	
		Gearbox 184060	Gearbox 184065
1	Input Seal (NAK 35 x 60 x 10)	156040	156040
2	End Cap Input	129025	129025
3	Gasket Input	124133	124133
4	Bearing Race Input (Timken LM603014)	155015	155015
5	Bearing Input (Timken LM603049)	155020	155020
6	Spacer 1/4"	131050	131050
7	Input Gear	185015	185026
8	Input Shaft	186020	186015
9	Housing	129020	129020
10	Gear Output	185035	185035
11	Bearing Race Output (Timken 363)	155035	155035
12	Bearing Output (Timken 368)	155040	155040
13	Output Shaft	186022	186022
14	Gasket Output	124134	124134
15	Seal Output (TCM 50 x 68 x 9 TC)	156035	156035
16	End Cap Output	129030	129030
17	1' Castle Nut /w Washer & Cotter Pin	501110	501110
18	1/2" Pipe Plug	131035	131035
19	1/8" Pipe Plug	131040	131040
20	3/8" x 1" Bolt & Lockwasher	-	-



### **1. Limited Warranty.**

King Kutter, Inc. ("King Kutter"), P.O. Box 1200, Winfield, Alabama 35594, warrants to the original retail purchaser ("Purchaser") that the product that is the subject of this sale is free from defects in material and workmanship at the time of sale.

Under this warranty, King Kutter will repair the defective product free of charge to the Purchaser, with either new or used and reconditioned replacement parts. All warranty service will be performed at service centers designated by King Kutter. If King Kutter is unable to repair the product to conform to the warranty after a reasonable number of attempts, King Kutter will provide, at its option, one of the following: (a) a replacement for the product or, (b) a full refund of the purchase price. Repair, replacement, or refunds are the Purchaser's EXCLUSIVE remedies against King Kutter under this limited warranty. King Kutter will not be liable for any special, incidental or consequential damages based upon breach or warranty, breach of contract, negligence, strict tort liability, or any other legal theory. Such damages include, but are not limited to, loss of profits, loss of savings or revenue, loss of use of the product or any associated equipment, cost of capital, cost of any substitute equipment, facilities or services, down time, the claims of third parties including customers, and injury to property. These limitations also apply, to the extent allowed by law, to personal injury.

The purchaser must notify the Seller in writing of any defect in material or workmanship within one (1) year following the date of purchase. If the equipment is used for commercial purposes, the Purchaser must notify the Seller in writing of any defect in material or workmanship within ninety (90) days following the date of purchase. In no event will King Kutter be liable under this warranty unless written notice is received by the Seller within one (1) year from the date of original retail sale.

### **2. Warranty of Title.**

King Kutter warrants that it transfers a good title to the product free of any encumbrances, and free of the rightful claim of any third party for infringement of patent or copyright.

### **3. What is Not Covered by This Limited Warranty.**

King Kutter will not be responsible for damage to or failure in the product which results from accident, misuse, abuse, neglect, installation of attachments not provided by King Kutter, modifications to the product, or damage caused by use of the product for purposes other than those for which it was designed.

### **4. No Other Warranties.**

Unless modified in writing and signed by both parties, this agreement is understood to be the complete and exclusive agreement and warranty between King Kutter and Purchaser, superseding all prior agreements, oral and written, and all other communication between King Kutter and Purchaser related to the subject matter of this agreement.

THIS LIMITED WARRANTY IS IN LIEU OF ALL OTHER WARRANTIES, EXPRESS OR IMPLIED, INCLUDING, BUT NOT LIMITED TO, THE IMPLIED WARRANTY OF MERCHANTABILITY AND THE IMPLIED WARRANTY OF FITNESS FOR A PARTICULAR PURPOSE. No employee of King Kutter nor anyone else is authorized to make any warranty or representation in addition to or different from those made in this agreement.

### **5. Allocation of Risk.**

This agreement allocates the risk of product failure between King Kutter and the Purchaser. This Allocation is recognized by both parties as reflected in the price of the goods. The Purchaser acknowledges that he or she has read this agreement, understands it, and is bound by its terms.